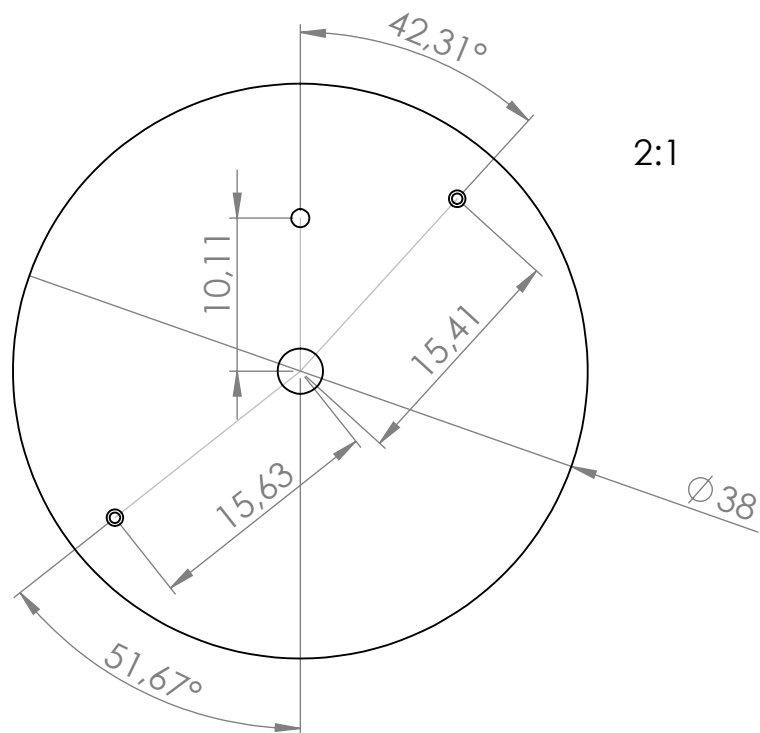
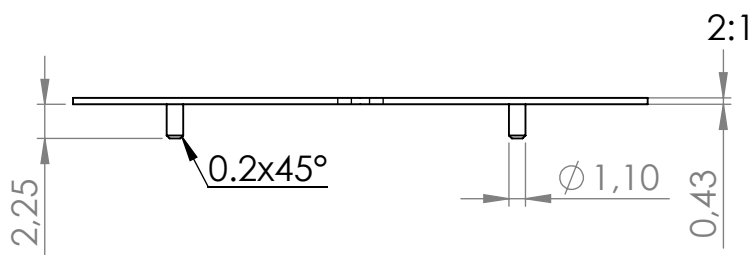


1:1



2:1



2:1

UNLESS OTHERWISE SPECIFIED:
DIMENSIONS ARE IN MILLIMETERS
SURFACE FINISH:
TOLERANCES:
LINEAR:
ANGULAR:

FINISH:

DEBUR AND
BREAK SHARP
EDGES

DO NOT SCALE DRAWING

REVISION

NAME	SIGNATURE	DATE
DRAWN Marcel Hecko	maco@blava.net	13/08/2014
CHK'D		
APPV'D		
MFG		
Q.A		

TITLE:

UNITAS 6498

MATERIAL:

DWG NO.

unitas_dial_two

A4

WEIGHT:

SCALE:1:1

SHEET 1 OF 1